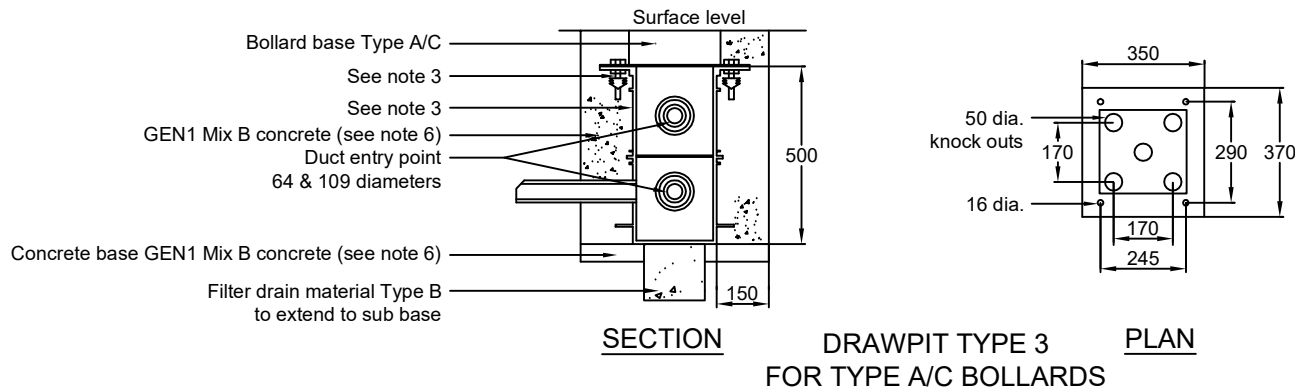


DRAWPIT TYPE 1



Notes:

- All dimensions are in millimetres unless shown otherwise.
- Draw wire to be brightly coloured stranded polypropylene of 5.3kN breaking load and installed through ducting and chambers and into bollard base to enable supply cables to be drawn into at a later date.
- For type 3 drawpit :
Chambers to be Oxford Duct Box or similar approved. Bollard bases to be secured to the chamber by 4 No. 14mm dia. x 100mm long ragbolts & nuts (2 No. nuts per ragbolt. Bollard bases must be secure & installed together at the same time to enable correct level and alignment of bollard.
- Ducts to be uPVC 50 diameter in islands and 100 diameter in crossings.
DNO supply - black
Private - orange.
- Ducting should be in accordance with NJUG guidelines
- For concrete specifications and mix information refer to the Concrete For Ancillary Purposes Standard Specification drawing no. HSD/100/002.

DRAWING TITLE:
Drawpits Types 1 and 3

SCALE: NTS

INITIALS:	CS	MS
DATE:	12/01/2024	12/01/2024

REV	AMENDMENTS	DRN	CHCK'D	DATE
-----	------------	-----	--------	------

DRAWING NO:
HSD/500/160

