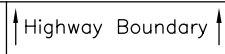
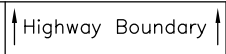
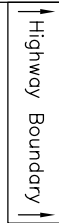
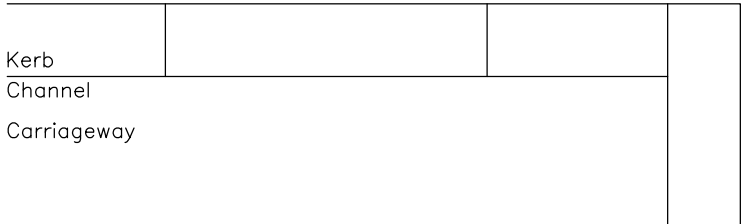


Non adoptable land

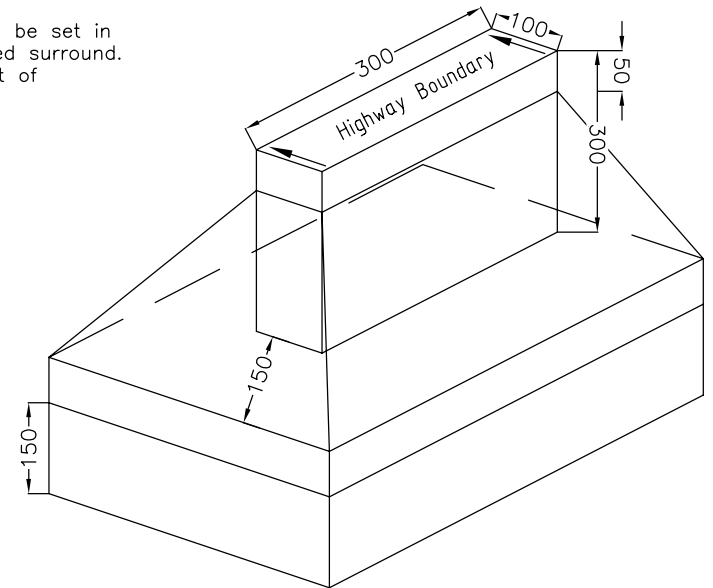


Adoptable service margin/verge

Kerb
Channel
Carriageway



Highway marker block to be set in 150mm C20 concrete bed surround. Arrows to indicate extent of adopted Highway.



DRAWING TITLE:

Highway Boundary Marker Details

REV	AMENDMENTS	DRN	CHCK'D	DATE

SCALE: NTS

DRAWN

CHECKED

DRAWING NO:

INITIALS:

CS

MS

HSD/100/030

DATE:

12/01/2024

12/01/2024

