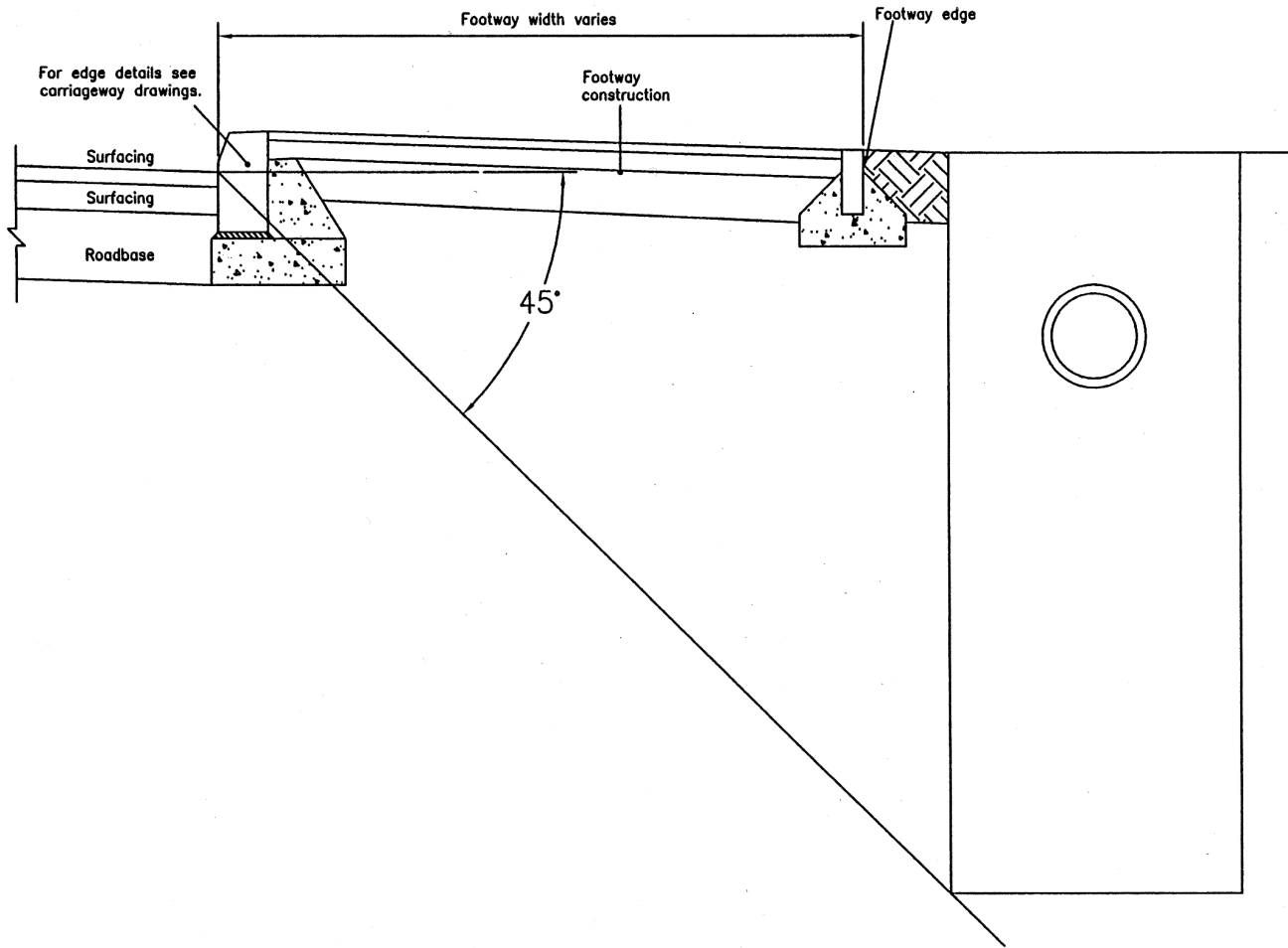


**NOTES**

1. All dimensions are in millimetres unless shown otherwise.
2. For location and widths of footways see layout and carriageway construction drawings.
3. Sub-base material shall comply with clause 803 or 804. Material to clause 804 shall comply with minimum CBR requirements in Appendix 7/1.
5. Kerbs and edgings shall be laid in accordance with clause 1101.



EXAMPLE FOR POSITION OF SOAKAWAY.

Appendix E

Appendix E



David Young  
 Director of Environmental Services  
 Oxfordshire County Council  
 Speedwell House, Speedwell Street,  
 Oxford OX1 1NE  
 Tel. Oxford 01865 815700

-----?

-----?

© Unauthorized reproduction infringes copyright

SCALE	INITIALS	DATE	INDEX	AMENDMENT	DATE
Not to Scale	DRAWN		DRAWING No.		CATEGORY
	TRACED		HSD-----		
	CHECKED				