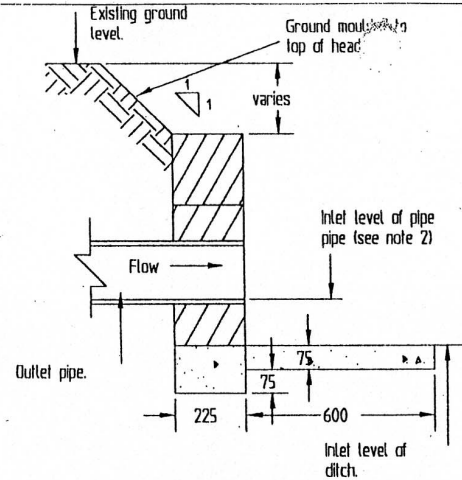
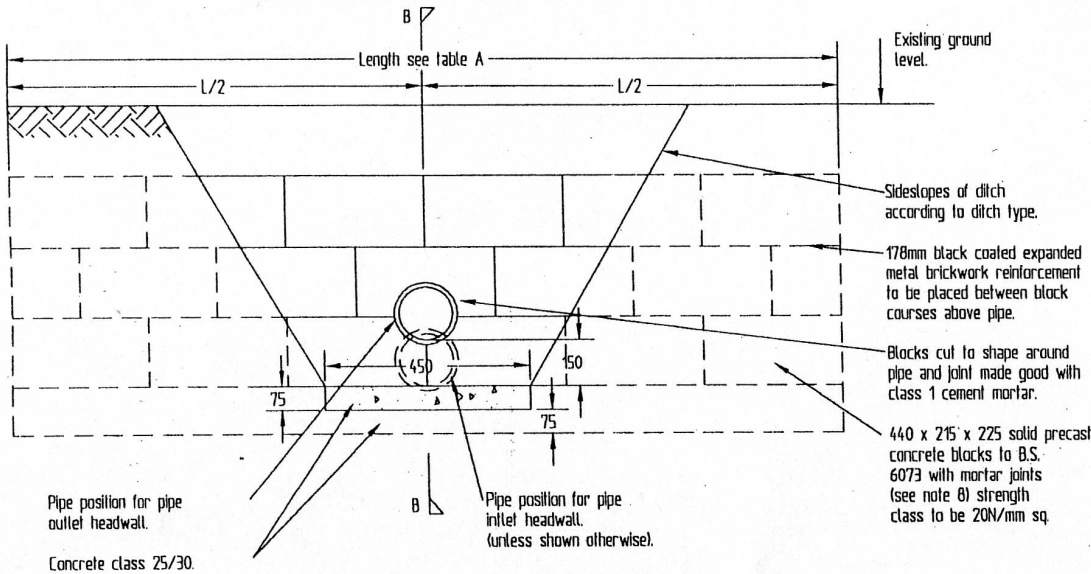


A1-47

LENGTH Based on 450mm nominal block length		HEIGHT Based on 225mm nominal block height	
No. Blocks	L mm	No. Blocks	D mm
4	1800	2	450
5	2250	3	675
6	2700	4	900
7	3150	5	1125
8	3600	6	1350
9*	4050	7*	1575

* Maximum permitted

TABLE A
Equivalent dimensions type H3



SECTION B-B

NOTES

- All dimensions are in millimetres unless shown otherwise.
- For headwall location and invert level of pipes see layout drawings and headwall schedule if provided.
- Concrete finish to be class F2 on formed surfaces and class U2 on unformed surfaces, to clause 1708.
- For details of ditch dimensions, invert levels and sideslopes, see HSD/5/550 layout drawings and ditch schedule (if provided).
- Individual type H3 headwalls are uniquely defined according to the number of blocks in length (L) and the number of blocks in height (D), e.g. H3 (6,3) denotes a headwall 6 blocks long and 3 blocks high.
- 440 x 140 x 225 solid precast concrete blocks to B.S. 6073 may be used provided that the design dimensions are maintained.
- As an alternative to block construction insitu concrete class 30/20 to the overall dimensions may be used.
- Cement mortar shall be mixed in the proportions given in Table 24/1, and in accordance with designation described in Appendix 24/1.
- For structural concrete mixes see Appendix 17/1.



David Young
Director of Environmental Services
Oxfordshire County Council
Speedwell House, Speedwell Street,
Oxford OX1 1NE
Tel. Oxford 815700

HEADWALLS: Type 3

DRAINAGE

© Unauthorised reproduction infringes copyright

SCALE

Not to Scale

INITIALS	DATE
DRAWN	
TRACED	C.A.D. 6.96
CHECKED	<i>DL</i> 4.97

INDEX	AMENDMENT	DATE
b	Minor amendments	03.97
a	Amendments to 7th Ed. of Spec. and block strength clarified.	10.92

DRAWING No. HSD/5/540b CATEGORY 1