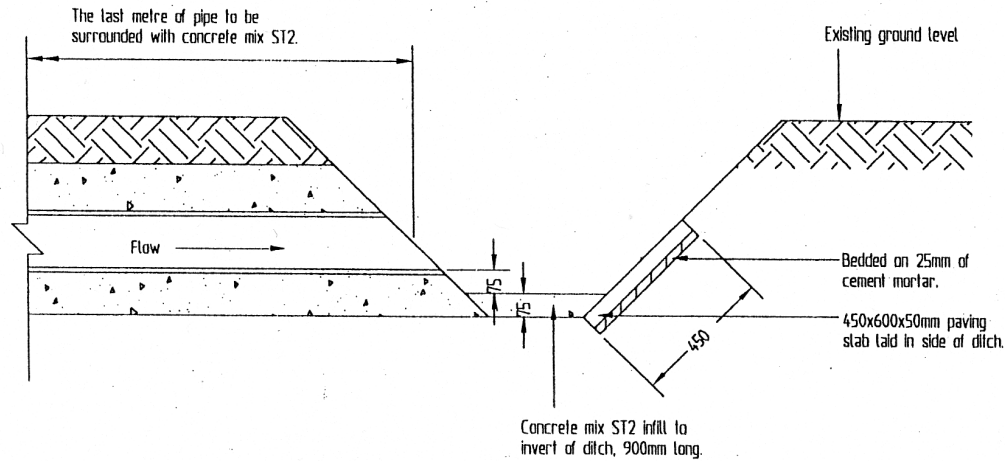


**NOTES**

1. All dimensions are in millimetres unless shown otherwise.
2. For headwall location and invert level of pipes see layout drawings and headwall schedule if provided.
3. Concrete finish to be class F2 on formed surfaces and class U2 on unformed surfaces, to clause 1708.
4. For details of ditch dimensions, invert levels and sideslopes, see HSD/5/550 layout drawings and ditch schedule (if provided).
5. Cement mortar shall be mixed in the proportions given in Table 24/1. For mortar designation see Appendix 24/1.
6. Standard concrete mixes shall comply with clause 2602.



David Young  
 Director of Environmental Services  
 Oxfordshire County Council  
 Speedwell House, Speedwell Street,  
 Oxford OX1 1NE  
 Tel. Oxford 815700

**HEADWALL: Type 1**

**DRAINAGE**

© Unauthorised reproduction infringes copyright

SCALE	INITIALS	DATE
Not to Scale	DRAWN	
	TRACED	C.A.D. 6.96
	CHECKED	GA 4.97

INDEX	AMENDMENT	DATE
c	Minor amendments	03.97
b	Spec. 7th Ed. amendments.	10.92
a	Bedding of slab amended.	Feb.92

DRAWING No. **HSD/5/530c** CATEGORY **1**