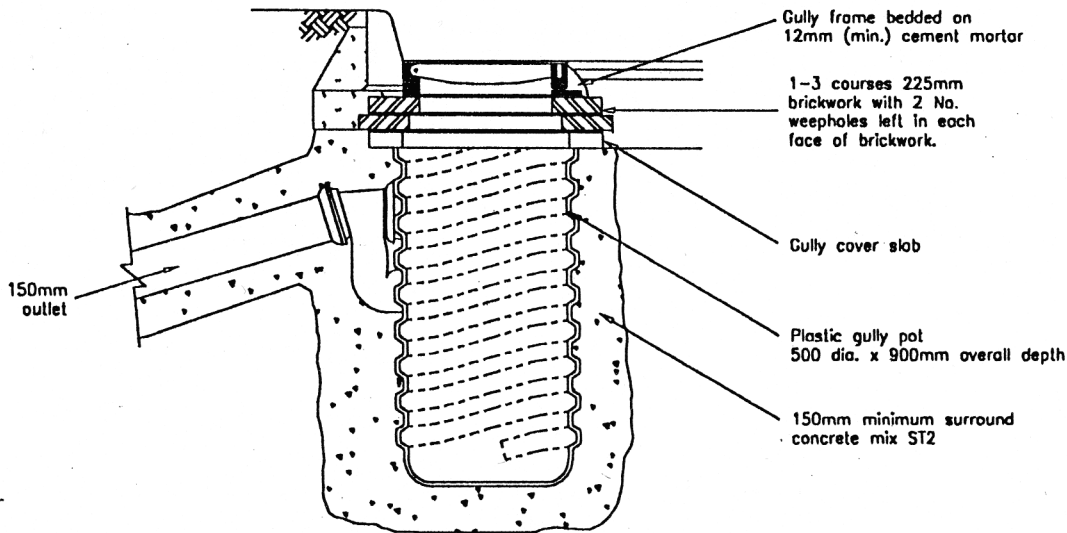
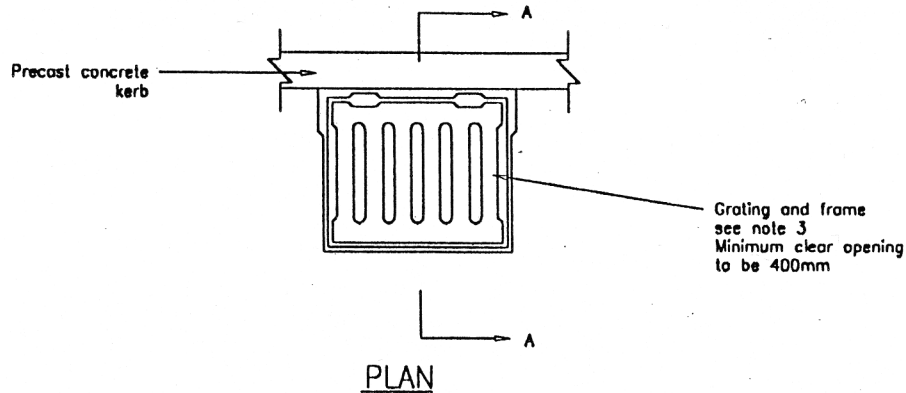


A1-44



**SECTION A-A
DESIGN GROUP G9
WITH PLASTIC GULLY POT**

NOTES

1. All dimensions are in millimetres unless shown otherwise.
2. Each gully is shown on the layout drawing by the appropriate symbol together with the design group
3. Ductile iron grating and frame (Kitemarked or Equivalent) to be as specified in Appendix 5/1 of the specification
4. Gully grating to be set 15mm below road at kerb face and 5mm at front of grating.
5. Bricks to be Class B clay engineering bricks to B.S.3921 laid in accordance with the 2400 series in English bond.
6. Standard concrete mixes shall comply with clause 2602
7. The first metre of each gully connection adjacent to the outlet shall be surrounded with 150mm minimum thickness of concrete mix ST2. Greater lengths with this concrete surround may be required by the contract.
8. Cement mortar shall be mixed in the proportions given in Table 24/1. For mortar designation see Appendix 24/1
9. Plastic gully pots are considered to be permanent shuttering and must comply with clause 508 (3)

e	Minor amendments	10.98
d	Minor amendments	03.97
c	Notes 3&4 amended. Note renumbered	4.96
b	Note 10 added	1.94
a	Spec. 7th amendments	10.92
	INDEX	AMENDMENT
	DATE	DATE



GULLIES: Design group G9 (trapped) (plastic gully pot design)

David Young
Director of Environmental Services
Oxfordshire County Council
Speedwell House, Speedwell Street,
Oxford OX1 1NE
Tel. Oxford 792422

DRAINAGE

SCALE

Not to Scale

	INITIALS	DATE
DRAWN		
TRACED		
CHECKED	<i>GP</i>	<i>21.1.99</i>

DRAWING No. **HSD/5/510e** CATEGORY **1**

© Unauthorised reproduction infringes copyright