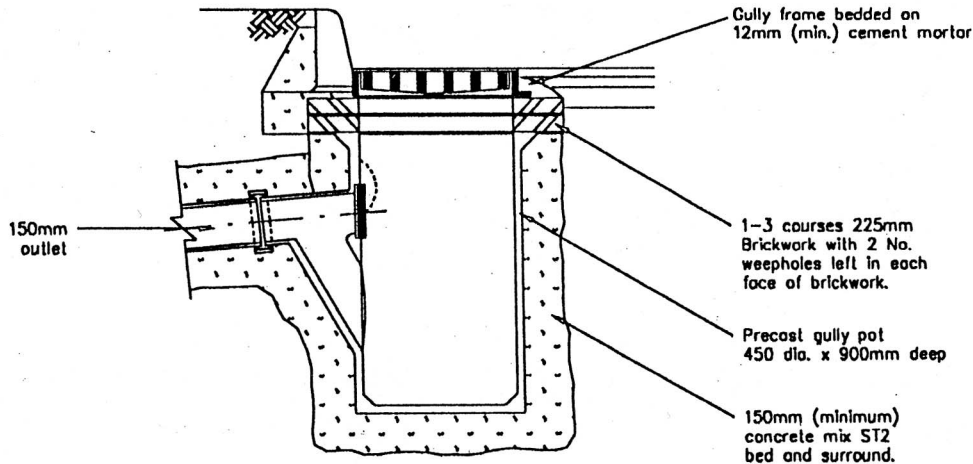
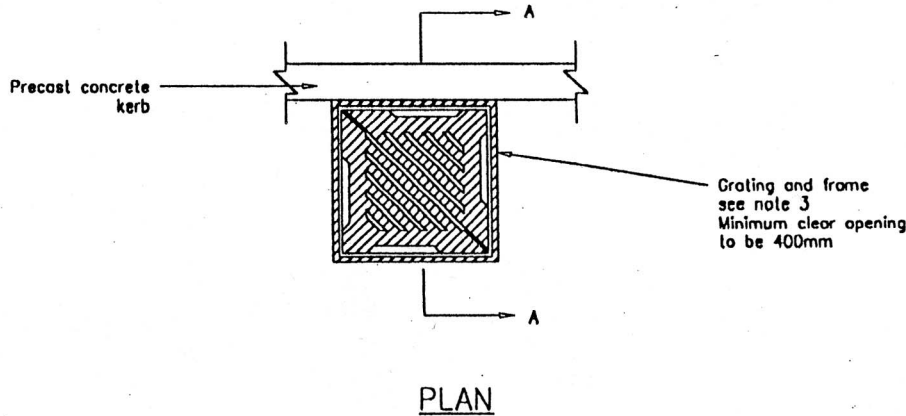


A1-42



SECTION A-A
DETAIL OF DESIGN GROUP G2
TRAPPED PRECAST GULLY POT

NOTES

1. All dimensions are in millimetres unless shown otherwise.
2. Each gully is shown on the layout drawing by the appropriate symbol together with the design group
3. Ductile iron grating and frame (Kitemarked or Equivalent) to be as specified in Appendix 5/1
4. Gully grating to be set 15mm below road at kerb face and 5mm at front of grating.
5. Bricks to be Class B clay engineering bricks to B.S.3921 laid in accordance with the 2400 series in English bond.
6. Finish on internal concrete to be class F2 on formed surfaces and U2 on unformed surfaces to clause 1708.
7. Permitted materials for precast gully pots are: - Concrete to B.S.5911 part 230
Vitrified clay to B.S.65
8. The first metre of each gully connection adjacent to the outlet shall be surrounded with 150mm minimum thickness of concrete mix ST2. Greater lengths with this concrete surround may be required by the contract.
9. Standard concrete mixes shall comply with clause 2602
10. Cement mortar shall be mixed in the proportions given in table 24/1. For mortar designation see Appendix 24/1

e	Minor amendments	11.98
d	Minor amendments	03.97
c	Note 3 amended	4.96
b	Note 8 amended	5.93
a	Spec 7th Ed. amendments	10.92
INDEX	AMENDMENT	DATE
DRAWING No. HSD/5/460e		CATEGORY 1
SCALE	INITIALS	DATE
Not to Scale	DRAWN	
	TRACED	
	CHECKED	21.1.00



David Young
Director of Environmental Services
Oxfordshire County Council
Speedwell House, Speedwell Street,
Oxford OX1 1NE
Tel. Oxford 792422

GULLIES: Design group G2 (trapped)
(Precast concrete gully pot design)

DRAINAGE

© Unauthorised reproduction infringes copyright